



FDTC35VF / SRC35ZMX-S

3.6 (0.9 ~ 4.1)

Indoor Unit : FDTC35VF

Outdoor Unit : SRC35ZMX-S

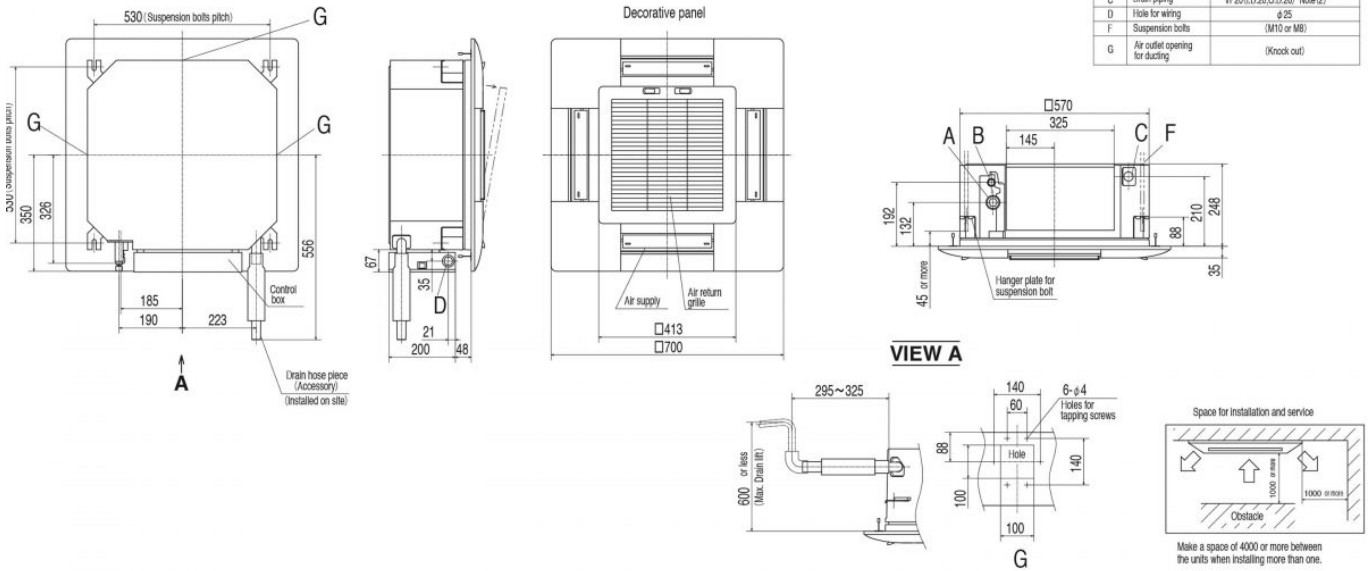
Specifications

Indoor unit			FDTC35VF
Outdoor unit			SRC35ZMX-S
Power source			1Phase, 220 - 240, 50Hz
Nominal cooling capacity (Min~Max)		kW	3.6 (0.9 ~ 4.1)
Nominal heating capacity (Min~Max)		kW	4.25 (0.9 ~ 5.1)
Power consumption		Cooling/Heating	kW
			1.07 / 1.16
EER/COP		Cooling/Heating	
			3.36 / 3.66
Max. running current			A
			8
Sound power level	Indoor	Cooling/Heating	58 / 58
	Outdoor	Cooling/Heating	58 / 58
Sound pressure level	Indoor	Cooling (Hi/Me/Lo/Ulo)	dB(A)
		Heating (Hi/Me/Lo/Ulo)	
	Outdoor	Cooling/Heating	43 / 42 / 35 / 32
Air flow	Indoor	Cooling (Hi/Me/Lo/Ulo)	m3/min
		Heating (Hi/Me/Lo/Ulo)	
	Outdoor	Cooling/Heating	11.5 / 10 / 9 / 8
Exterior Dimensions	Indoor	Height x Width x Depth	mm
	Outdoor		
Net weight			kg
Indoor / Outdoor			18.5 (Unit : 15 Panel : 3.5) / 35.0
Refrigerant		Type/GWP	R410A / 2088
Refrigerant		Charge	kg/TCO2Eq
			1.2 / 2.506
Refrigerant piping size		Liquid/Gas	ø mm
			6.35(1/4") / 9.52(3/8")
Refrigerant line (one way) length			m
			Max. 15
Vertical height differences		Outdoor is higher/lower	m
			Max. 10 / Max.10
Outdoor operating temperature range		Cooling	°C
		Heating	-15~46
			-15~24
Panel			TC-PSA-25W-E
Energy Class (Cooling/Heating)			A+ / A+
SEER			6.12
SCOP (Average climate)			4.15
Pdesign (cooling/heating(@-10°C))		kW	3.60/3.60
Annual Electricity Consumption (cooling/heating)		kWh/a	207/1215
Designated Heating Season			Average

- The data is measured under the following conditions(ISO-T1, H1). Cooling: Indoor temp. of 27°CDB, 19°CWB, and outdoor temp. of 35°CDB. Heating: Indoor temp. of 20°CDB, and outdoor temp. of 7°CDB, 6°CWB.
 - Sound level indicates the value in an anechoic chamber. During operation these values are somewhat higher due to ambient conditions.
 - 'tonne(s) of CO2 equivalent' means a quantity of greenhouse gases- expressed as the product of the weight of the greenhouse gases in metric tonnes and of their global warming potential.
- *SEER/SCOP are based on EN14825:2016 and Commission regulation (EU) No.2016/2281

Schematics

FDTC25VF FDTC35VF FDTC40VF FDTC50VF FDTC60VF



SRC50ZS-W,-S SRC25ZMX-S SRC35ZMX-S SRC45ZSP-W,-S

