



FDTC50VF / SRC50ZSX-S

5.0 (1.1 ~ 5.6)

Indoor Unit : FDTC50VF

Outdoor Unit : SRC50ZSX-S

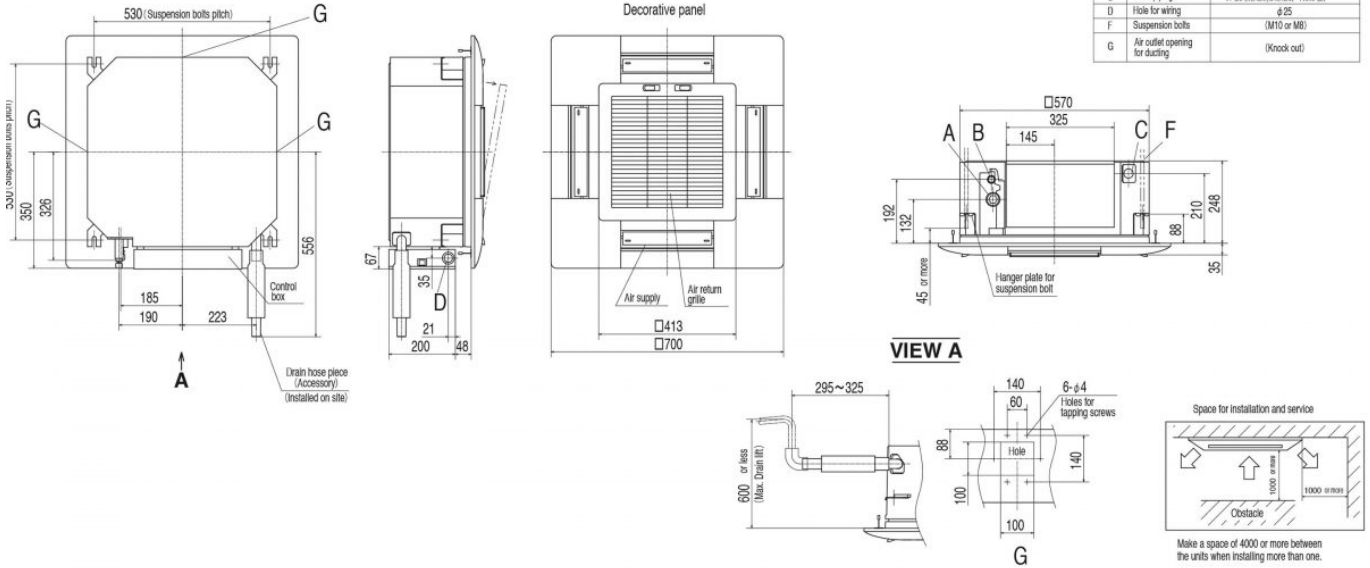
Specifications

Indoor unit			FDTC50VF
Outdoor unit			SRC50ZSX-S
Power source			1Phase, 220 - 240, 50Hz
Nominal cooling capacity (Min~Max)		kW	5.0 (1.1 ~ 5.6)
Nominal heating capacity (Min~Max)		kW	5.4 (0.6 ~ 6.3)
Power consumption	Cooling/Heating	kW	1.56 / 1.45
EER/COP	Cooling/Heating		3.21 / 3.72
Max. running current			A
Sound power level	Indoor	Cooling/Heating	60 / 60
	Outdoor	Cooling/Heating	63 / 63
Sound pressure level	Indoor	Cooling (Hi/Me/Lo/Ulo)	dB(A) 47 / 42 / 36 / 30
		Heating (Hi/Me/Lo/Ulo)	
	Outdoor	Cooling/Heating	50 / 49
Air flow	Indoor	Cooling (Hi/Me/Lo/Ulo)	m3/min 13.5 / 11.5 / 9 / 7
		Heating (Hi/Me/Lo/Ulo)	
	Outdoor	Cooling/Heating	40 / 33
Exterior Dimensions	Indoor	Height x Width x Depth	mm
	Outdoor		
Net weight	Indoor / Outdoor	kg	18.5 (Unit : 15 Panel : 3.5) / 45.0
Refrigerant	Type/GWP		R410A / 2088
Refrigerant	Charge	kg/TCO2Eq	1.5 / 3.132
Refrigerant piping size	Liquid/Gas	ø mm	6.35(1/4") / 12.7(1/2")
Refrigerant line (one way) length			m
Vertical height differences	Outdoor is higher/lower	m	Max. 20 / Max.20
Outdoor operating temperature range	Cooling	°C	-15~46
	Heating		-20~24
Panel			TC-PSA-25W-E
Energy Class (Cooling/Heating)			A+/A
SEER			6.01
SCOP (Average climate)			3.85
Pdesign (cooling/heating(@-10°C))			kW
Annual Electricity Consumption (cooling/heating)			kWh/a
Designated Heating Season			Average

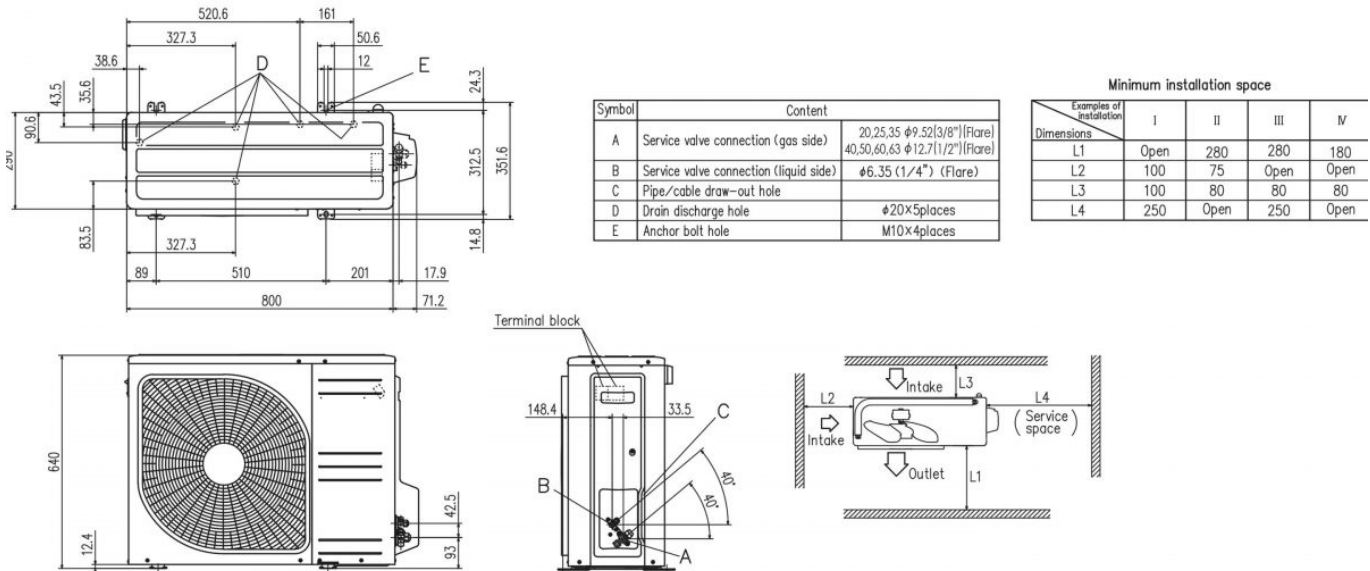
• The data is measured under the following conditions(ISO-T1, H1). Cooling: Indoor temp. of 27°CDB, 19°CWB, and outdoor temp. of 35°CDB. Heating: Indoor temp. of 20°CDB, and outdoor temp. of 7°CDB, 6°CWB.
 • Sound level indicates the value in an anechoic chamber. During operation these values are somewhat higher due to ambient conditions.
 • 'tonne(s) of CO2 equivalent' means a quantity of greenhouse gases- expressed as the product of the weight of the greenhouse gases in metric tonnes and of their global warming potential.
 *SEER/SCOP are based on EN14825:2016 and Commission regulation (EU) No.2016/2281

Schematics

FDTC25VF FDTC35VF FDTC40VF FDTC50VF FDTC60VF



SRC20ZSX-W,-S SRC25ZSX-W,-S SRC35ZSX-W,-S SRC40ZSX-W,-S SRC50ZSX-W,-S SRC60ZSX-W,-S SRC63ZR-W,-S



Because of our policy of continuous improvement, we reserve the right to make changes in all specifications without notice.