



# FDTC60VF / SRC60ZSX-S

5.6 ( 1.1 ~ 6.3 )

Indoor Unit : FDTC60VF

Outdoor Unit : SRC60ZSX-S

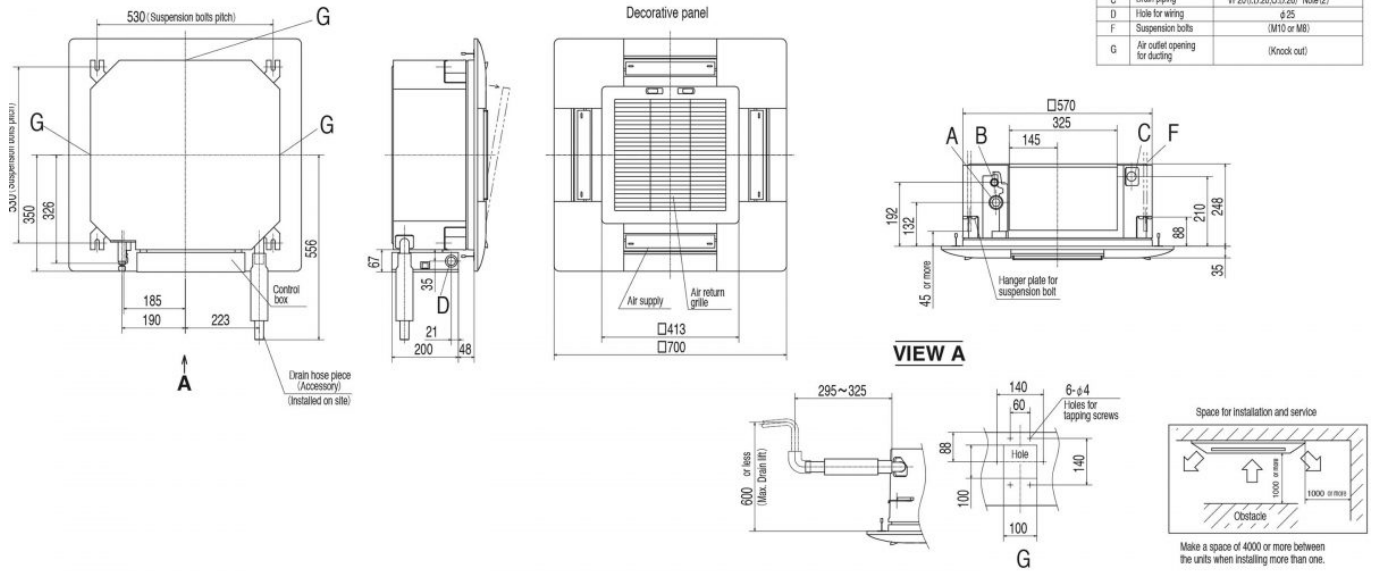
## Specifications

|  |                  |                         |                         |   |
|--|------------------|-------------------------|-------------------------|---|
| Indoor unit                                      |                  |                         | FDTC60VF                |   |
| Outdoor unit                                     |                  |                         | SRC60ZSX-S              |   |
| Power source                                     |                  |                         | 1Phase, 220 - 240, 50Hz |   |
| Nominal cooling capacity (Min~Max)               |                  | kW                      | 5.6 ( 1.1 ~ 6.3 )       |   |
| Nominal heating capacity (Min~Max)               |                  | kW                      | 6.7 ( 0.6 ~ 6.7 )       |   |
| Power consumption                                |                  | Cooling/Heating         | kW                      | 1.99 / 2.07                                   |
| EER/COP  |                  | Cooling/Heating         |                         | 2.81 / 3.24                                   |
| Max. running current                             |                  |                         | A                       | 15  |
| Sound power level                                | Indoor           | Cooling/Heating         |                         | 60 / 60                                       |
|  | Outdoor          | Cooling/Heating         |                         | 65 / 65                                       |
| Sound pressure level                             | Indoor           | Cooling (Hi/Me/Lo/Ulo)  | dB(A)                   | 47 / 46 / 39 / 30                             |
|  |                  | Heating (Hi/Me/Lo/Ulo)  |                         | 47 / 46 / 39 / 32                             |
|  | Outdoor          | Cooling/Heating         |                         | 52 / 52                                       |
| Air flow   | Indoor           | Cooling (Hi/Me/Lo/Ulo)  | m3/min                  | 13.5 / 13.5 / 10 / 7                          |
|  |                  | Heating (Hi/Me/Lo/Ulo)  |                         | 13.5 / 13.5 / 10 / 8                          |
|  | Outdoor          | Cooling/Heating         |                         | 41.5 / 39                                     |
| Exterior Dimensions                              | Indoor           | Height x Width x Depth  | mm                      | Unit : 248 x 570 x 570 Panel : 35 x 700 x 700 |
|  | Outdoor          |                         |                         | 640 x 800(+71) x 290                          |
| Net weight                                       | Indoor / Outdoor |                         | kg                      | 18.5 (Unit : 15 Panel : 3.5 ) / 45.0          |
| Refrigerant                                      |                  | Type/GWP                |                         | R410A / 2088                                  |
| Refrigerant                                      |                  | Charge                  | kg/TCO2Eq               | 1.5 / 3.132                                   |
| Refrigerant piping size                          |                  | Liquid/Gas              | ø mm                    | 6.35(1/4") / 12.7(1/2")                       |
| Refrigerant line (one way) length                |                  |                         | m                       | Max. 30                                       |
| Vertical height differences                      |                  | Outdoor is higher/lower | m                       | Max. 20 / Max.20                              |
| Outdoor operating temperature range              | Cooling          |                         | °C                      | -15~46  |
|  | Heating          |                         |                         | -20~24  |
| Panel  |                  |                         |                         | TC-PSA-25W-E                                  |
| Energy Class (Cooling/Heating)                   |                  |                         |                         | A+/A  |
| SEER   |                  |                         |                         | 5.76  |
| SCOP (Average climate)                           |                  |                         |                         | 3.80  |
| Pdesign (cooling/heating(@-10°C))                |                  | kW                      |                         | 5.60/5.90                                     |
| Annual Electricity Consumption (cooling/heating) |                  | kWh/a                   |                         | 341/2172                                      |
| Designated Heating Season                        |                  |                         |                         | Average                                       |

• The data is measured under the following conditions(ISO-T1, H1). Cooling: Indoor temp. of 27°CDB, 19°CWB, and outdoor temp. of 35°CDB. Heating: Indoor temp. of 20°CDB, and outdoor temp. of 7°CDB, 6°CWB.  
 • Sound level indicates the value in an anechoic chamber. During operation these values are somewhat higher due to ambient conditions.  
 • 'tonne(s) of CO2 equivalent' means a quantity of greenhouse gases- expressed as the product of the weight of the greenhouse gases in metric tonnes and of their global warming potential.  
 \*SEER/SCOP are based on EN14825:2016 and Commission regulation (EU) No.2016/2281

Schematics

FDTC25VF FDTC35VF FDTC40VF FDTC50VF FDTC60VF



SRC20ZSX-W,-S SRC25ZSX-W,-S SRC35ZSX-W,-S  
SRC40ZSX-W,-S SRC50ZSX-W,-S SRC60ZSX-W,-S SRC63ZR-W,-S

