



SRK20ZS-WT / SRC20ZS-W

2.0(0.9~2.9)

Indoor Unit : SRK20ZS-WT

Outdoor Unit : SRC20ZS-W

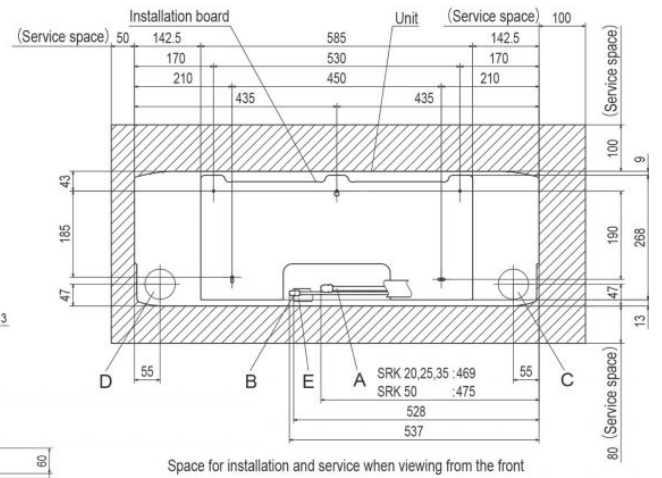
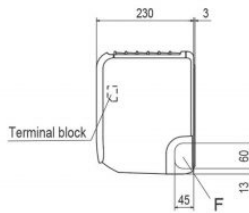
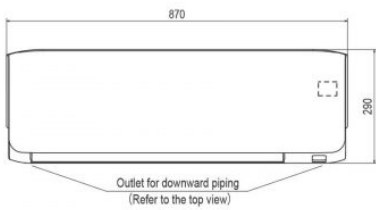
Specifications

Indoor unit			SRK20ZS-WT
Outdoor unit			SRC20ZS-W
Power source			1Phase, 220 - 240, 50Hz
Nominal cooling capacity (Min~Max)		kW	2.0(0.9~2.9)
Nominal heating capacity (Min~Max)		kW	2.7(0.9~4.3)
Power consumption	Cooling/Heating	kW	0.44 / 0.59
EER/COP	Cooling/Heating		4.55 / 4.58
Max. running current		A	9
Sound power level	Indoor	Cooling/Heating	48 / 50
	Outdoor	Cooling/Heating	56 / 56
Sound pressure level	Indoor	Cooling (Hi/Me/Lo/Ulo)	34 / 25 / 22 / 19
		Heating (Hi/Me/Lo/Ulo)	36 / 29 / 23 / 19
	Outdoor	Cooling/Heating	45 / 45
Air flow	Indoor	Cooling (Hi/Me/Lo/Ulo)	9.3 / 7.0 / 5.9 / 5.0
		Heating (Hi/Me/Lo/Ulo)	10.0 / 8.5 / 6.5 / 5.9
	Outdoor	Cooling/Heating	27.4 / 23.6
Exterior Dimensions	Indoor	Height x Width x Depth	290 x 870 x 230
	Outdoor		540 x 780(+62) x 290
Net weight	Indoor / Outdoor		kg 9.5 / 31.0
Refrigerant	Type/GWP		R32 / 675
Refrigerant	Charge	kg/TCO2Eq	0.62 / 0.419
Refrigerant piping size	Liquid/Gas	ø mm	6.35(1/4") / 9.52(3/8")
Refrigerant line (one way) length		m	Max. 20
Vertical height differences	Outdoor is higher/lower	m	Max. 10 / Max. 10
Outdoor operating temperature range	Cooling	°C	-15~46
	Heating		-15~24
Clean filter			Allergen Clear Filter x 1, Photocatalytic Washable Deodorizing Filter x 1
Energy Class (Cooling/Heating)			A+++ / A++
SEER			8.5
SCOP (Average climate)			4.6
Pdesign (cooling/heating(@-10°C))		kW	2.00/2.60
Annual Electricity Consumption (cooling/heating)		kWh/a	83/793
Designated Heating Season			Average

• The data is measured under the following conditions(ISO-T1, H1). Cooling: Indoor temp. of 27°CDB, 19°CWB, and outdoor temp. of 35°CDB. Heating: Indoor temp. of 20°CDB, and outdoor temp. of 7°CDB, 6°CWB.
 • Sound level indicates the value in an anechoic chamber. During operation these values are somewhat higher due to ambient conditions.
 • 'tonne(s) of CO2 equivalent' means a quantity of greenhouse gases- expressed as the product of the weight of the greenhouse gases in metric tonnes and of their global warming potential.
 *SEER/SCOP are based on EN14825:2016 and Commission regulation (EU) No.2016/2281

Schematics

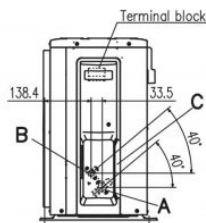
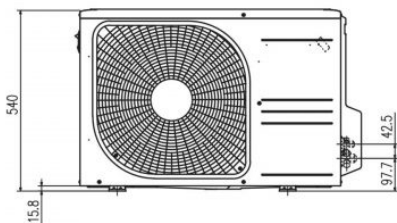
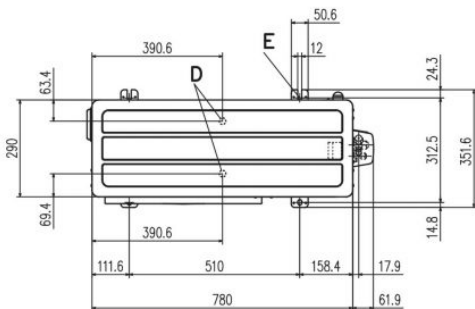
SRK20ZS-W,-WB,-WT SRK25ZS-W,-WB,-WT
SRK35ZS-W,-WB,-WT SRK50ZS-W,-WB,-WT
SRK20ZS-S,-SB,-ST SRK25ZS-S,-SB,-ST
SRK35ZS-S,-SB,-ST SRK50ZS-S,-SB,-ST



Space for installation and service when viewing from the front

Symbol	Content	
A	Gas piping	SRK20, 25, 35 $\phi 9.52$ (3/8") (Flare) SRK50 $\phi 12.7$ (1/2") (Flare)
B	Liquid piping	$\phi 6.35$ (1/4") (Flare)
C	Hole on wall for right rear piping	($\phi 65$)
D	Hole on wall for left rear piping	($\phi 65$)
E	Drain hose	VP16
F	Outlet for piping (on both side)	

SRC20ZS-W SRC25ZS-W SRC35ZS-W
SRC20ZS-S SRC25ZS-S SRC35ZS-S



Symbol	Content	
A	Service valve connection (gas side)	$\phi 9.52$ (3/8") (Flare)
B	Service valve connection (liquid side)	$\phi 6.35$ (1/4") (Flare)
C	Pipe/cable draw-out hole	
D	Drain discharge hole	$\phi 20 \times 2$ places
E	Anchor bolt hole	M10 $\times 4$ places

Minimum installation space

Examples of Installation Dimensions	Minimum installation space			
	I	II	III	IV
L1	Open	280	280	180
L2	100	75	Open	Open
L3	100	80	80	80
L4	250	Open	250	Open

