



SRK25ZS-W / SRC25ZS-W

2.5(0.9~3.1)

Indoor Unit : SRK25ZS-W

Outdoor Unit : SRC25ZS-W

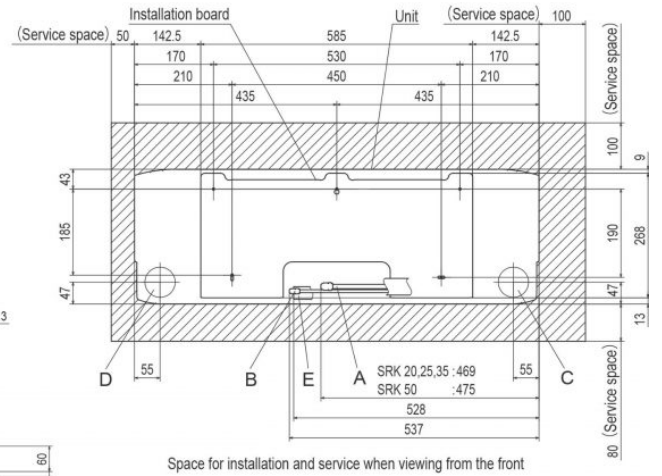
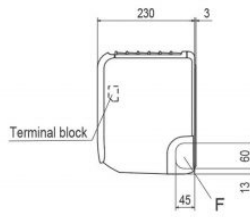
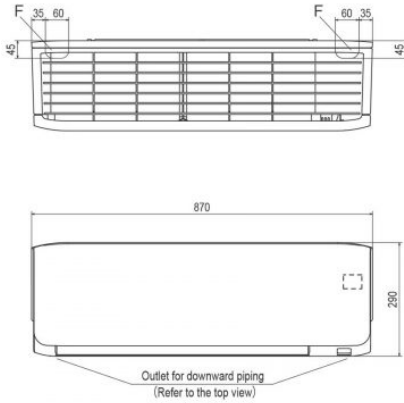
Specifications

Indoor unit			SRK25ZS-W
Outdoor unit			SRC25ZS-W
Power source			1Phase, 220 - 240, 50Hz
Nominal cooling capacity (Min~Max)		kW	2.5(0.9~3.1)
Nominal heating capacity (Min~Max)		kW	3.2(0.9~4.5)
Power consumption	Cooling/Heating	kW	0.62 / 0.74
EER/COP	Cooling/Heating		4.03 / 4.32
Max. running current		A	9
Sound power level	Indoor	Cooling/Heating	50 / 53
	Outdoor	Cooling/Heating	56 / 58
Sound pressure level	Indoor	Cooling (Hi/Me/Lo/Ulo)	36 / 28 / 23 / 19
		Heating (Hi/Me/Lo/Ulo)	39 / 30 / 24 / 19
	Outdoor	Cooling/Heating	46 / 46
Air flow	Indoor	Cooling (Hi/Me/Lo/Ulo)	9.9 / 8.0 / 5.9 / 5.0
		Heating (Hi/Me/Lo/Ulo)	11.3 / 8.7 / 6.7 / 5.9
	Outdoor	Cooling/Heating	27.4 / 23.6
Exterior Dimensions	Indoor	Height x Width x Depth	290 x 870 x 230
	Outdoor		540 x 780(+62) x 290
Net weight	Indoor / Outdoor		kg 9.5 / 31.0
Refrigerant	Type/GWP		R32 / 675
Refrigerant	Charge	kg/TCO2Eq	0.62 / 0.419
Refrigerant piping size	Liquid/Gas	ø mm	6.35(1/4") / 9.52(3/8")
Refrigerant line (one way) length		m	Max. 20
Vertical height differences	Outdoor is higher/lower	m	Max. 10 / Max. 10
Outdoor operating temperature range	Cooling	°C	-15~46
	Heating		-15~24
Clean filter			Allergen Clear Filter x 1, Photocatalytic Washable Deodorizing Filter x 1
Energy Class (Cooling/Heating)			A+++ / A++
SEER			8.50
SCOP (Average climate)			4.70
Pdesign (cooling/heating(@-10°C))		kW	2.50/2.70
Annual Electricity Consumption (cooling/heating)		kWh/a	103/804
Designated Heating Season			Average

- The data is measured under the following conditions(ISO-T1, H1). Cooling: Indoor temp. of 27°CDB, 19°CWB, and outdoor temp. of 35°CDB. Heating: Indoor temp. of 20°CDB, and outdoor temp. of 7°CDB, 6°CWB.
 - Sound level indicates the value in an anechoic chamber. During operation these values are somewhat higher due to ambient conditions.
 - 'tonne(s) of CO2 equivalent' means a quantity of greenhouse gases- expressed as the product of the weight of the greenhouse gases in metric tonnes and of their global warming potential.
- *SEER/SCOP are based on EN14825:2016 and Commission regulation (EU) No.2016/2281

Schematics

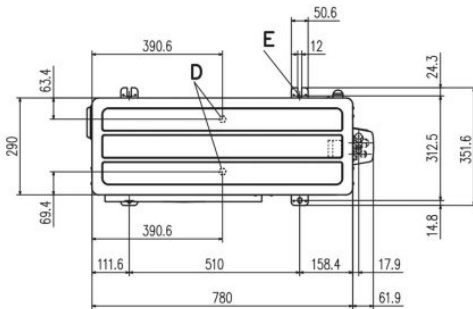
SRK20ZS-W,-WB,-WT SRK25ZS-W,-WB,-WT
SRK35ZS-W,-WB,-WT SRK50ZS-W,-WB,-WT
SRK20ZS-S,-SB,-ST SRK25ZS-S,-SB,-ST
SRK35ZS-S,-SB,-ST SRK50ZS-S,-SB,-ST



Space for installation and service when viewing from the front

Symbol	Content	
A	Gas piping	SRK20, 25, 35 ϕ 9.52 (3/8") (Flare) SRK50 ϕ 12.7 (1/2") (Flare)
B	Liquid piping	ϕ 6.35 (1/4") (Flare)
C	Hole on wall for right rear piping	(ϕ 65)
D	Hole on wall for left rear piping	(ϕ 65)
E	Drain hose	VP16
F	Outlet for piping (on both side)	

SRC20ZS-W SRC25ZS-W SRC35ZS-W
SRC20ZS-S SRC25ZS-S SRC35ZS-S



Symbol	Content	
A	Service valve connection (gas side)	ϕ 9.52 (3/8") (Flare)
B	Service valve connection (liquid side)	ϕ 6.35 (1/4") (Flare)
C	Pipe/cable draw-out hole	
D	Drain discharge hole	ϕ 20x2places
E	Anchor bolt hole	M10x4places

Examples of Installation Dimensions	Minimum installation space			
	I	II	III	IV
L1	Open	280	280	180
L2	100	75	Open	Open
L3	100	80	80	80
L4	250	Open	250	Open

