



SRK35ZSP-W / SRC35ZSP-W

3.2(0.9~3.7)

Indoor Unit : SRK35ZSP-W

Outdoor Unit : SRC35ZSP-W

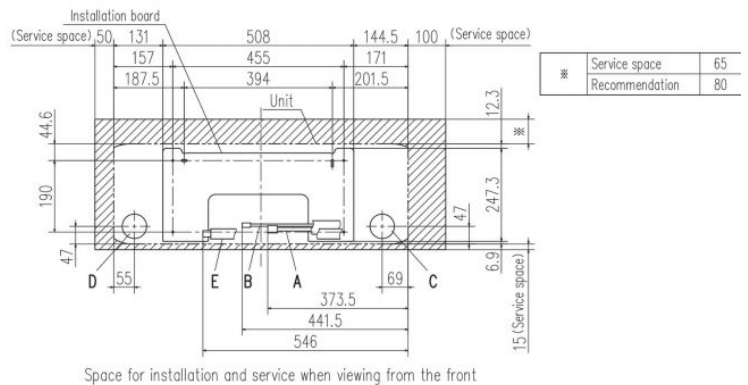
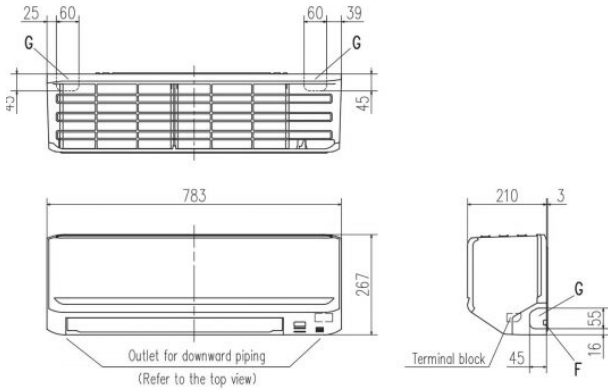
Specifications

Indoor unit			SRK35ZSP-W
Outdoor unit			SRC35ZSP-W
Power source			1 Phase, 220 - 240V, 50Hz
Nominal cooling capacity (Min~Max)		kW	3.2(0.9~3.7)
Nominal heating capacity (Min~Max)		kW	3.6(1.0~4.6)
Power consumption	Cooling/Heating	kW	0.910 / 0.930
EER/COP	Cooling/Heating		3.52 / 3.87
Max. running current		A	9
Sound power level	Indoor	Cooling/Heating	58 / 58
	Outdoor	Cooling/Heating	59 / 60
Sound pressure level	Indoor	Cooling (Hi/Me/Lo/Ulo)	45 / 36 / 23
		Heating (Hi/Me/Lo/Ulo)	44 / 36 / 28
	Outdoor	Cooling/Heating	48 / 48
Air flow	Indoor	Cooling (Hi/Me/Lo/Ulo)	9.5 / 6.8 / 4.2
		Heating (Hi/Me/Lo/Ulo)	9.6 / 7.4 / 5.5
	Outdoor	Cooling/Heating	22.8 / 22.0
Exterior Dimensions	Indoor	Height x Width x Depth	267 x 783 x 210
	Outdoor		540 x 645(+57) x 275
Net weight	Indoor / Outdoor	kg	7.0 / 28.5
Refrigerant	Type/GWP		R32 / 675
Refrigerant	Charge	kg/TCO2Eq	0.68 / 0.459
Refrigerant piping size	Liquid/Gas	ø mm	6.35(1/4") / 9.52(3/8")
Refrigerant line (one way) length		m	Max. 15
Vertical height differences	Outdoor is higher/lower	m	Max. 10 / Max. 10
Outdoor operating temperature range	Cooling	°C	-15~46
	Heating		-15~24
Clean filter			-
Energy Class (Cooling/Heating)			A+ +/A+
SEER			7.30
SCOP (Average climate)			4.40
Pdesign (cooling/heating(@-10°C))		kW	3.20/3.00
Annual Electricity Consumption (cooling/heating)		kWh/a	155/955
Designated Heating Season			Average

- The data is measured under the following conditions(ISO-T1, H1). Cooling: Indoor temp. of 27°CDB, 19°CWB, and outdoor temp. of 35°CDB. Heating: Indoor temp. of 20°CDB, and outdoor temp. of 7°CDB, 6°CWB.
 - Sound level indicates the value in an anechoic chamber. During operation these values are somewhat higher due to ambient conditions.
 - 'tonne(s) of CO2 equivalent' means a quantity of greenhouse gases- expressed as the product of the weight of the greenhouse gases in metric tonnes and of their global warming potential.
- *SEER/SCOP are based on EN14825:2016 and Commission regulation (EU) No.2016/2281

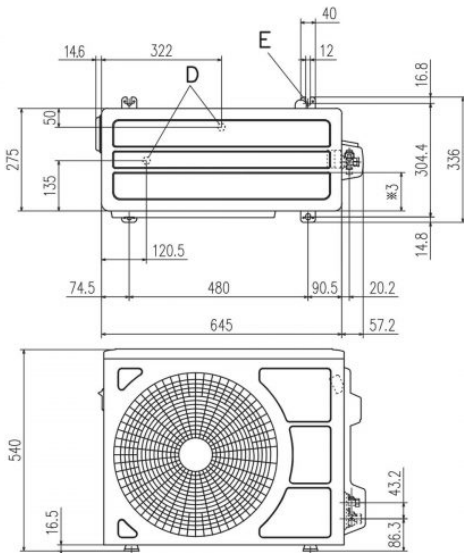
Schematics

SRK25ZSP-W SRK35ZSP-W SRK45ZSP-W SRK25ZSP-S SRK35ZSP-S SRK45ZSP-S



Symbol	Content
A	Gas piping SRK25,35 $\phi 9.52$ (3/8") (Flare)
B	Liquid piping SRK45 $\phi 12.7$ (1/2") (Flare)
C	Hole on wall for right rear piping ($\phi 65$)
D	Hole on wall for left rear piping ($\phi 65$)
E	Drain hose VP16
F	Outlet for wiring
G	Outlet for piping (on both side)

SRC25ZSP-W SRC25ZSP-S SRC35ZSP-W SRC35ZSP-S



Symbol	Content
A	Service valve connection (gas side) $\phi 9.52$ (3/8") (Flare)
B	Service valve connection (liquid side) $\phi 6.35$ (1/4") (Flare)
C	Pipe/cable draw-out hole
D	Drain discharge hole $\phi 20 \times 2$ places
E	Anchor bolt hole M10 $\times 4$ places

Examples of installation Dimensions	I II III IV			
	L1	Open	280	280
L2	100	100	Open	Open
L3	100	80	80	80
L4	250	Open	250	Open

