



SRK35ZSX-WT / SRC35ZSX-W

3.5 (0.9~4.5)

Indoor Unit : SRK35ZSX-WT

Outdoor Unit : SRC35ZSX-W

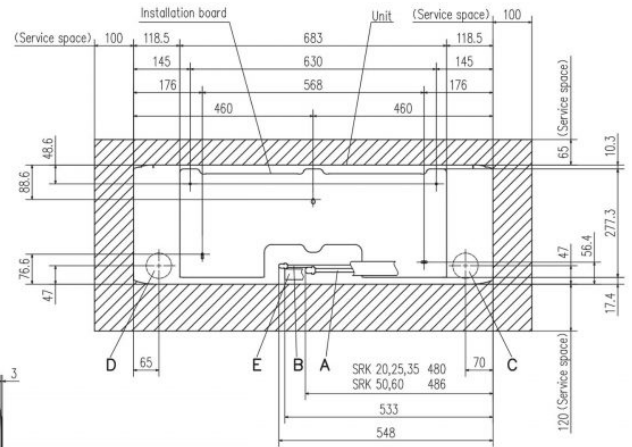
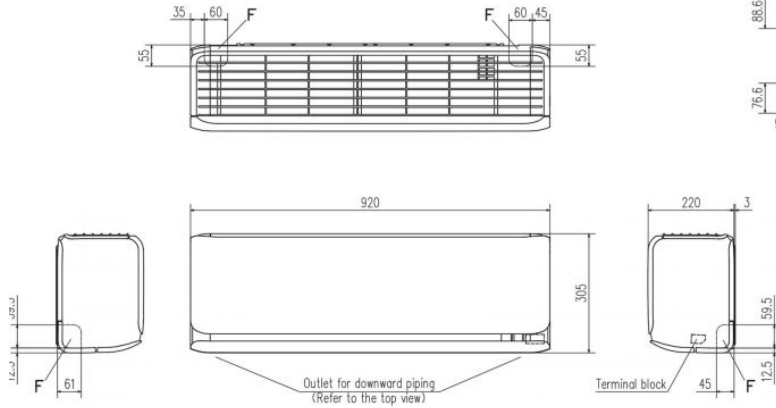
Specifications

Indoor unit			SRK35ZSX-WT
Outdoor unit			SRC35ZSX-W
Power source			1Phase, 220 - 240, 50Hz
Nominal cooling capacity (Min~Max)		kW	3.5 (0.9~4.5)
Nominal heating capacity (Min~Max)		kW	4.3 (0.8~6.8)
Power consumption	Cooling/Heating	kW	0.74 / 0.90
EER/COP	Cooling/Heating		4.73 / 4.78
Max. running current		A	9
Sound power level	Indoor	Cooling/Heating	58 / 58
	Outdoor	Cooling/Heating	61 / 62
Sound pressure level	Indoor	Cooling (Hi/Me/Lo/Ulo)	43 / 35 / 26 / 19
		Heating (Hi/Me/Lo/Ulo)	42 / 35 / 28 / 19
	Outdoor	Cooling/Heating	48 / 47
Air flow	Indoor	Cooling (Hi/Me/Lo/Ulo)	13.1 / 10.8 / 7.3 / 5.0
		Heating (Hi/Me/Lo/Ulo)	13.9 / 11.8 / 8.6 / 5.4
	Outdoor	Cooling/Heating	36.0 / 31.0
Exterior Dimensions	Indoor	Height x Width x Depth	305 x 920 x 220
	Outdoor		640 x 800(+71) x 290
Net weight	Indoor / Outdoor		kg
Refrigerant	Type/GWP		R32 / 675
Refrigerant	Charge	kg/TCO2Eq	1.20 / 0.810
Refrigerant piping size	Liquid/Gas	ø mm	6.35(1/4") / 9.52(3/8")
Refrigerant line (one way) length		m	Max.25
Vertical height differences	Outdoor is higher/lower	m	Max.15 / Max.15
Outdoor operating temperature range	Cooling	°C	-15~46
	Heating		-20~24
Clean filter			Allergen Clear Filter x 1, Photocatalytic Washable Deodorizing Filter x 1
Energy Class (Cooling/Heating)			A+++ / A+++
SEER			9.50
SCOP (Average climate)			5.10
Pdesign (cooling/heating(@-10°C))		kW	3.50/3.40
Annual Electricity Consumption (cooling/heating)		kWh/a	129/934
Designated Heating Season			Average

- The data is measured under the following conditions(ISO-T1, H1). Cooling: Indoor temp. of 27°CDB, 19°CWB, and outdoor temp. of 35°CDB. Heating: Indoor temp. of 20°CDB, and outdoor temp. of 7°CDB, 6°CWB.
 - Sound level indicates the value in an anechoic chamber. During operation these values are somewhat higher due to ambient conditions.
 - 'tonne(s) of CO2 equivalent' means a quantity of greenhouse gases- expressed as the product of the weight of the greenhouse gases in metric tonnes and of their global warming potential.
- *SEER/SCOP are based on EN14825:2016 and Commission regulation (EU) No.2016/2281

Schematics

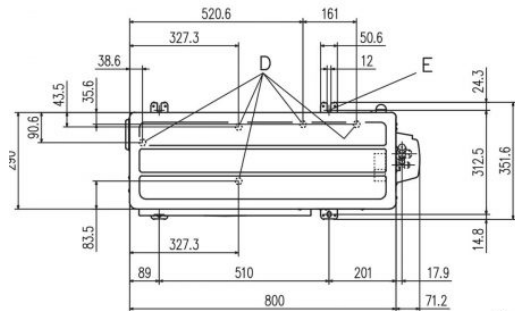
SRK20ZSX-W, -WB, -WT SRK25ZSX-W, -WB, -WT
SRK35ZSX-W, -WB, -WT SRK50ZSX-W, -WB, -WT
SRK60ZSX-W, -WB, -WT



Space for installation and service when viewing from the front

Symbol	Content		
A	Gas piping	SRK 20,25,35	ø9.52 (3/8") (Flare)
		SRK 50,60	ø12.7 (1/2") (Flare)
B	Liquid piping		ø6.35 (1/4") (Flare)
C	Hole on wall for right rear piping		(ø65)
D	Hole on wall for left rear piping		(ø65)
E	Drain hose		VP16
F	Outlet for piping		

SRC20ZSX-W,-S SRC25ZSX-W,-S SRC35ZSX-W,-S
SRC40ZSX-W,-S SRC50ZSX-W,-S SRC60ZSX-W,-S SRC63ZR-W,-S



Symbol	Content	
A	Service valve connection (gas side)	20,25,35 ø9.52(3/8")(Flare) 40,50,60,63 ø12.7(1/2")(Flare)
B	Service valve connection (liquid side)	ø6.35 (1/4") (Flare)
C	Pipe/cable draw-out hole	
D	Drain discharge hole	ø20x5places
E	Anchor bolt hole	M10x4places

Minimum installation space

Examples of installation Dimensions	Minimum installation space			
	I	II	III	IV
L1	Open	280	280	180
L2	100	75	Open	Open
L3	100	80	80	80
L4	250	Open	250	Open

