



SRK50ZS-WT / SRC50ZS-W

5.0(1.3~5.5)

Indoor Unit : SRK50ZS-WT

Outdoor Unit : SRC50ZS-W

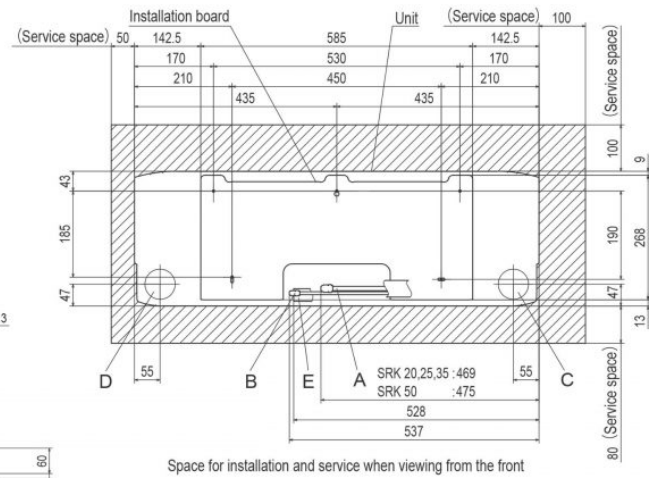
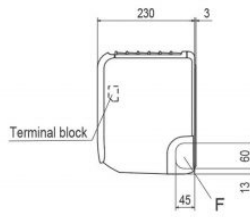
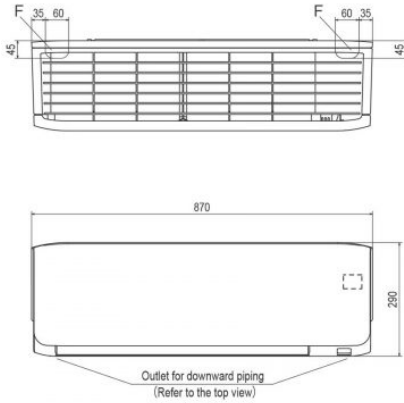
Specifications

Indoor unit			SRK50ZS-WT
Outdoor unit			SRC50ZS-W
Power source			1Phase, 220 - 240, 50Hz
Nominal cooling capacity (Min~Max)		kW	5.0(1.3~5.5)
Nominal heating capacity (Min~Max)		kW	5.8(1.3~6.6)
Power consumption	Cooling/Heating	kW	1.35 / 1.56
EER/COP	Cooling/Heating		3.70 / 3.72
Max. running current		A	14.5
Sound power level	Indoor	Cooling/Heating	59 / 60
	Outdoor	Cooling/Heating	61 / 63
Sound pressure level	Indoor	Cooling (Hi/Me/Lo/Ulo)	46 / 36 / 29 / 22
		Heating (Hi/Me/Lo/Ulo)	46 / 37 / 31 / 24
	Outdoor	Cooling/Heating	51 / 52
Air flow	Indoor	Cooling (Hi/Me/Lo/Ulo)	12.1 / 9.9 / 7.4 / 5.9
		Heating (Hi/Me/Lo/Ulo)	13.9 / 11.2 / 9.1 / 7.4
	Outdoor	Cooling/Heating	32.8 / 32.8
Exterior Dimensions	Indoor	Height x Width x Depth	290 x 870 x 230
	Outdoor		595 x 780(+62) x 290
Net weight	Indoor / Outdoor		kg 10.0 / 36.0
Refrigerant	Type/GWP		R32 / 675
Refrigerant	Charge	kg/TCO2Eq	1.05 / 0.709
Refrigerant piping size	Liquid/Gas	ø mm	6.35(1/4") / 12.7(1/2")
Refrigerant line (one way) length		m	Max. 25
Vertical height differences	Outdoor is higher/lower	m	Max. 15 / Max. 15
Outdoor operating temperature range	Cooling	°C	-15~46
	Heating		-15~24
Clean filter			Allergen Clear Filter x 1, Photocatalytic Washable Deodorizing Filter x 1
Energy Class (Cooling/Heating)			A+ +/A+ +
SEER			7.00
SCOP (Average climate)			4.60
Pdesign (cooling/heating(@-10°C))		kW	5.00/3.80
Annual Electricity Consumption (cooling/heating)		kWh/a	250/1158
Designated Heating Season			Average

• The data is measured under the following conditions(ISO-T1, H1). Cooling: Indoor temp. of 27°CDB, 19°CWB, and outdoor temp. of 35°CDB. Heating: Indoor temp. of 20°CDB, and outdoor temp. of 7°CDB, 6°CWB.
 • Sound level indicates the value in an anechoic chamber. During operation these values are somewhat higher due to ambient conditions.
 • 'tonne(s) of CO2 equivalent' means a quantity of greenhouse gases- expressed as the product of the weight of the greenhouse gases in metric tonnes and of their global warming potential.
 *SEER/SCOP are based on EN14825:2016 and Commission regulation (EU) No.2016/2281

Schematics

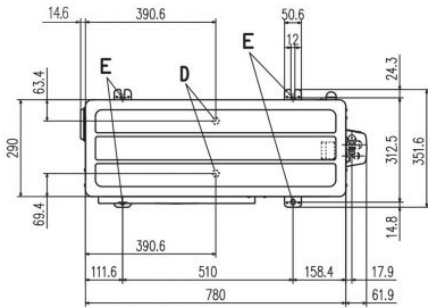
SRK20ZS-W,-WB,-WT SRK25ZS-W,-WB,-WT
SRK35ZS-W,-WB,-WT SRK50ZS-W,-WB,-WT
SRK20ZS-S,-SB,-ST SRK25ZS-S,-SB,-ST
SRK35ZS-S,-SB,-ST SRK50ZS-S,-SB,-ST



Space for installation and service when viewing from the front

Symbol	Content	
A	Gas piping	SRK20, 25, 35 $\phi 9.52$ (3/8") (Flare) SRK50 $\phi 12.7$ (1/2") (Flare)
B	Liquid piping	$\phi 6.35$ (1/4") (Flare)
C	Hole on wall for right rear piping	($\phi 65$)
D	Hole on wall for left rear piping	($\phi 65$)
E	Drain hose	VP16
F	Outlet for piping (on both side)	

SRC50ZS-W,-S SRC25ZMX-S SRC35ZMX-S SRC45ZSP-W,-S



Symbol	Content	
A	Service valve connection (gas side)	ZMX : $\phi 9.52$ (3/8") (flare) ZS,ZMP : $\phi 12.7$ (1/2") (flare)
B	Service valve connection (liquid side)	$\phi 6.35$ (1/4") (Flare)
C	Pipe/cable draw-out hole	
D	Drain discharge hole	$\phi 20 \times 2$ places
E	Anchor bolt hole	M10 $\times 4$ places

Examples of installation Dimensions	Minimum installation space			
	I	II	III	IV
L1	Open	280	280	180
L2	100	75	Open	Open
L3	100	80	80	80
L4	250	Open	250	Open

