



SRK60ZSX-W / SRC60ZSX-W1

6.1 (1.0~6.9)

Indoor Unit : SRK60ZSX-W

Outdoor Unit : SRC60ZSX-W1

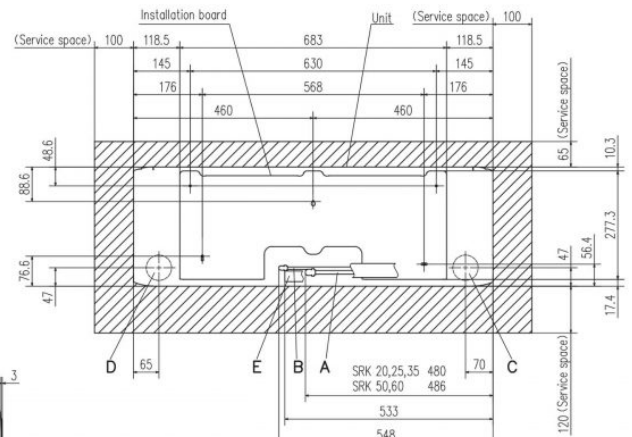
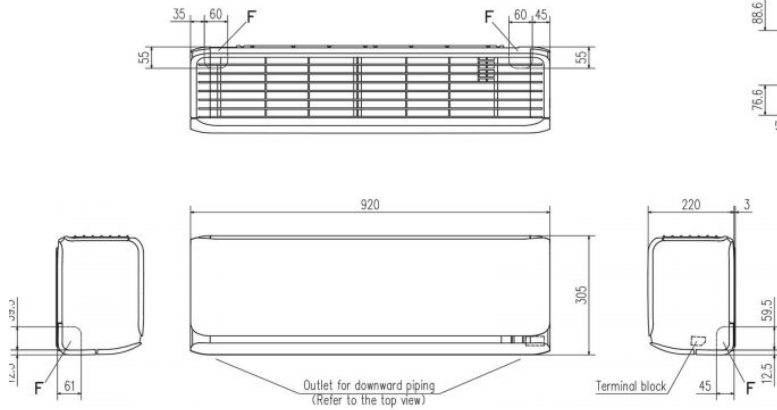
Specifications

| | | | |
|--|-------------------------|------------------------|---|
| Indoor unit | | | SRK60ZSX-W |
| Outdoor unit | | | SRC60ZSX-W1 |
| Power source | | | 1Phase, 220 - 240, 50Hz |
| Nominal cooling capacity (Min~Max) | | kW | 6.1 (1.0~6.9) |
| Nominal heating capacity (Min~Max) | | kW | 6.8 (0.8~8.8) |
| Power consumption | Cooling/Heating | kW | 1.71 / 1.65 |
| EER/COP | Cooling/Heating | | 3.57 / 4.12 |
| Max. running current | | A | 15 |
| Sound power level | Indoor | Cooling/Heating | 62 / 63 |
| | Outdoor | Cooling/Heating | 65 / 64 |
| Sound pressure level | Indoor | Cooling (Hi/Me/Lo/Ulo) | 48 / 41 / 33 / 22 |
| | | Heating (Hi/Me/Lo/Ulo) | 47 / 42 / 34 / 23 |
| | Outdoor | Cooling/Heating | 52 / 53 |
| Air flow | Indoor | Cooling (Hi/Me/Lo/Ulo) | 16.3 / 13.4 / 8.9 / 5.4 |
| | | Heating (Hi/Me/Lo/Ulo) | 17.8 / 13.7 / 10.9 / 6.2 |
| | Outdoor | Cooling/Heating | 41.5 / 39.0 |
| Exterior Dimensions | Indoor | Height x Width x Depth | 305 x 920 x 220 |
| | Outdoor | | 640 x 800(+71) x 290 |
| Net weight | Indoor / Outdoor | | kg |
| Refrigerant | Type/GWP | | R32 / 675 |
| Refrigerant | Charge | kg/TCO2Eq | 1.30 / 0.878 |
| Refrigerant piping size | Liquid/Gas | ø mm | 6.35(1/4") / 12.7(1/2") |
| Refrigerant line (one way) length | | m | Max.30 |
| Vertical height differences | Outdoor is higher/lower | m | Max.20 / Max.20 |
| Outdoor operating temperature range | Cooling | °C | -15~46 |
| | Heating | | -20~24 |
| Clean filter | | | Allergen Clear Filter x 1, Photocatalytic Washable Deodorizing Filter x 1 |
| Energy Class (Cooling/Heating) | | | A+ +/A+ + |
| SEER | | | 7.80 |
| SCOP (Average climate) | | | 4.70 |
| Pdesign (cooling/heating(@-10°C)) | | kW | 6.10/5.20 |
| Annual Electricity Consumption (cooling/heating) | | kWh/a | 274/1551 |
| Designated Heating Season | | | Average |

- The data is measured under the following conditions(ISO-T1, H1). Cooling: Indoor temp. of 27°CDB, 19°CWB, and outdoor temp. of 35°CDB. Heating: Indoor temp. of 20°CDB, and outdoor temp. of 7°CDB, 6°CWB.
 - Sound level indicates the value in an anechoic chamber. During operation these values are somewhat higher due to ambient conditions.
 - 'tonne(s) of CO2 equivalent' means a quantity of greenhouse gases- expressed as the product of the weight of the greenhouse gases in metric tonnes and of their global warming potential.
- *SEER/SCOP are based on EN14825:2016 and Commission regulation (EU) No.2016/2281

Schematics

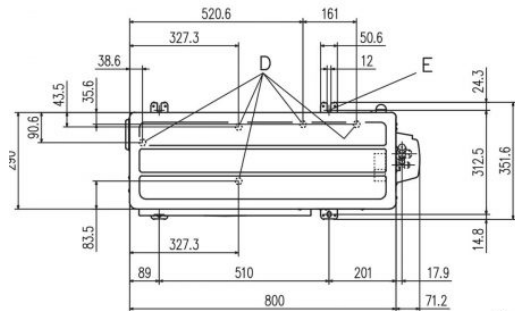
SRK20ZSX-W, -WB, -WT SRK25ZSX-W, -WB, -WT
SRK35ZSX-W, -WB, -WT SRK50ZSX-W, -WB, -WT
SRK60ZSX-W, -WB, -WT



Space for installation and service when viewing from the front

| Symbol | Content | |
|--------|------------------------------------|-----------------------------------|
| A | Gas piping | SRK 20,25,35 480 SRK 50,60 486 |
| B | Liquid piping | SRK 20,25,35 480 SRK 50,60 486 |
| C | Hole on wall for right rear piping | φ65 |
| D | Hole on wall for left rear piping | φ65 |
| E | Drain hose | VP16 |
| F | Outlet for piping | |

SRC20ZSX-W,-S SRC25ZSX-W,-S SRC35ZSX-W,-S
SRC40ZSX-W,-S SRC50ZSX-W,-S SRC60ZSX-W,-S SRC63ZR-W,-S



| Symbol | Content | |
|--------|--|---|
| A | Service valve connection (gas side) | 20,25,35 φ9.52(3/8") (Flare) 40,50,60,63 φ12.7(1/2") (Flare) |
| B | Service valve connection (liquid side) | φ6.35 (1/4") (Flare) |
| C | Pipe/cable draw-out hole | |
| D | Drain discharge hole | φ20x5places |
| E | Anchor bolt hole | M10x4places |

Minimum installation space

| Examples of installation Dimensions | Minimum installation space | | | |
|-------------------------------------|----------------------------|------|------|------|
| | I | II | III | IV |
| L1 | Open | 280 | 280 | 180 |
| L2 | 100 | 75 | Open | Open |
| L3 | 100 | 80 | 80 | 80 |
| L4 | 250 | Open | 250 | Open |

